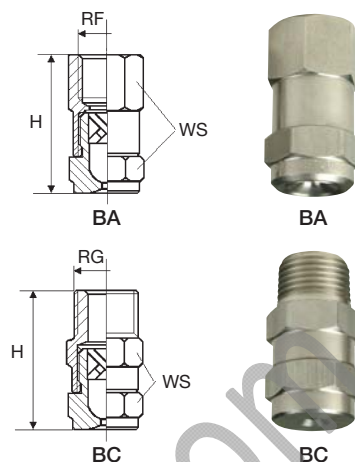


X-VANE / ROUND SPRAY / THREE PIECES

These full cone nozzles are manufactured in a three-piece construction. They are based on the clog resistant X-vane design which is easily dismantled for internal cleaning. The nipple is engineered to avoid losing the internal X-vane when the nozzle is mounted in the upwards spraying position. Available with female (BA) or male (BC) inlet thread.



(See dimensions and weights at the bottom of the page).

Materials
 B1 AISI 303 Stainless steel
 B31 AISI 316L Stainless steel on request
 T1 Brass

Standard spray

BAQ	BCQ	Code	RF RG	D	D1	Capacity at different pressure values							lpm bar	Spray angle (degrees) at pressure		
						inch	mm	mm	0.7	1.0	2.0	3.0		5.0	7.0	10
•	•	0740	1/8	1.0	0.5	0.36	0.43	0.60	0.74	0.93	1.13	1.35	--	58	53	
•	•	1110		1.2	0.5	0.53	0.64	0.90	1.10	1.42	1.68	2.01	51	65	60	
•	•	1150		1.4	1.0	0.72	0.87	1.22	1.50	1.94	2.29	2.74	43	59	46	
•	•	1220		1.6	1.0	1.06	1.27	1.80	2.20	2.84	3.36	4.02	50	65	60	
•	•	1260		1.6	1.3	1.26	1.50	2.12	2.60	3.36	3.97	4.75	43	48	45	
•	•	1370		2.0	1.3	1.79	2.14	3.02	3.70	4.78	5.70	6.76	50	65	58	
•	•	1480	1/4	2.4	1.7	2.32	2.77	3.92	4.80	6.20	7.30	8.76	45	50	45	
•	•	1740		2.9	1.7	3.57	4.27	6.04	7.40	9.60	11.3	13.5	55	65	60	
•	•	1930		3.2	1.7	4.46	5.34	7.61	9.30	12.0	14.2	16.9	68	70	67	
•	•	1700	3/8	3.0	2.0	3.38	4.04	5.71	7.00	9.03	10.7	12.7	45	50	45	
•	•	2111		3.4	2.4	5.36	6.40	9.10	11.1	14.3	17.0	20.3	65	68	60	
•	•	2163		4.5	2.4	7.87	9.40	13.3	16.3	21.0	24.9	29.8	85	90	80	
•	•	2118	1/2	3.4	3.0	5.70	6.80	9.60	11.8	15.2	18.0	21.5	50	50	45	
•	•	2185		4.4	3.0	8.94	10.7	15.1	18.5	23.9	28.3	33.8	65	68	60	
•	•	2240		5.0	3.0	11.6	13.9	19.6	24.0	31.0	36.7	43.8	70	75	65	
•	•	2300		5.6	3.0	14.5	17.3	24.5	30.0	38.7	45.8	54.8	90	92	85	

Wide spray

BAW	BCW	Code	RF/RG	D	D1	0.7	1.0	2.0	3.0	5.0	7.0	10	0.7	1.5	5.0
•	•	1200	1/8	1.5	1.0	0.97	1.15	1.63	2.00	2.58	3.06	3.65	120	115	104
•	•	1310		1.8	1.0	1.50	1.79	2.53	3.10	4.00	4.74	5.66	120	110	104
•	•	1400		2.3	1.0	1.93	2.31	3.27	4.00	5.16	6.11	7.30	120	110	104
•	•	1570		2.5	1.1	2.75	3.29	4.65	5.70	7.36	8.71	10.4	120	110	104
•	•	1720	1/4	3.3	1.7	3.48	4.16	5.88	7.20	9.30	11.0	13.1	120	110	105
•	•	1860		3.4	1.3	4.15	4.97	7.02	8.60	11.1	13.1	15.7	120	110	105
•	•	2100		3.6	1.6	4.83	5.77	8.16	10.0	12.9	15.3	18.3	120	110	105
•	•	2122	3/8	3.9	1.6	5.89	7.04	9.96	12.2	15.8	18.6	22.3	120	110	105
•	•	2144		4.3	2.4	6.96	8.30	11.8	14.4	18.6	22.0	26.3	120	110	105
•	•	2172		4.9	2.4	8.31	9.90	14.0	17.2	22.2	26.3	31.4	120	110	105
•	•	2194		5.3	2.5	9.37	11.2	15.8	19.4	25.0	29.6	35.4	120	110	105
•	•	2220	1/2	5.0	3.0	10.6	12.7	18.0	22.0	28.4	33.6	40.2	120	115	110
•	•	2250		5.3	3.0	12.1	14.4	20.4	25.0	32.3	38.2	45.6	120	115	110
•	•	2290		5.6	3.0	14.0	16.7	23.7	29.0	37.4	44.3	52.9	120	115	110
•	•	2320		6.7	3.5	15.5	18.5	26.1	32.0	41.3	48.9	58.4	120	115	110
•	•	2360		7.6	4.0	17.4	20.8	29.4	36.0	46.5	55.0	65.7	120	115	110

Dimensions and weights

Nozzle Type	RF/RG inch	H mm	WS mm	W kg
BA/BB	1/8	30	14	0.03
	1/4	37	17	0.04
	3/8	46	19	0.07
	1/2	57	25	0.20

Nozzle Type	RF/RG inch	H mm	WS mm	W kg
BC/BD	1/8	32	14	0.02
	1/4	39	17	0.04
	3/8	47	19	0.07
	1/2	57	25	0.20