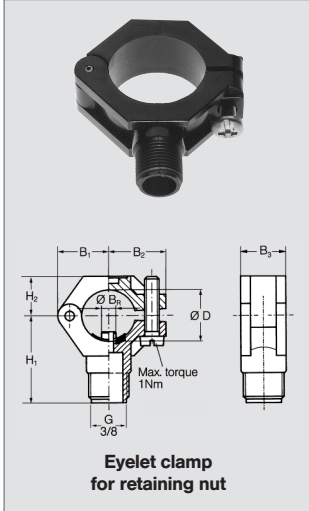




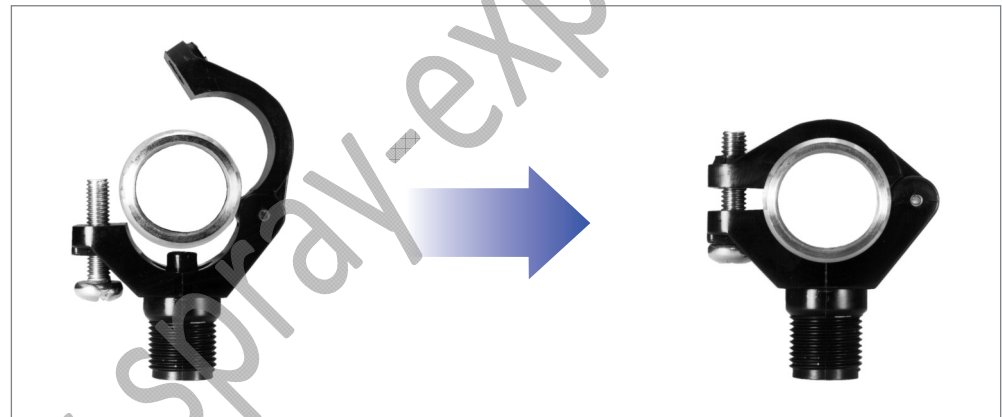
## Accessories

### Eyelet clamps / Retaining nuts

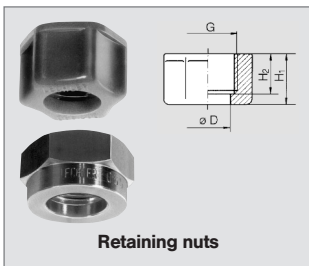


Eyelet clamp for retaining nut

For series	Ordering no.				Screw	Dimensions [mm]								Weight (Polyamid)	
	Type	Material no.				BSPP	Pipe ø	D ø	B <sub>R</sub> ø	B <sub>1</sub>	B <sub>2</sub>	B <sub>3</sub>	H <sub>1</sub>		H <sub>2</sub>
		51	53	5E											
2TR/216/302/308/350 468/548/679/684/652	090.053	Polyamid	Polypropylene	PVDF	Material 303 SS	3/8	3/8"	16.5-18.0	6.2	19.0	22.0	18.5	34.5	14.5	20 g
	090.003					3/8	1/2"	20-22.0	6.2	21.2	23.8	18.5	36.5	16.5	20 g
	090.013					3/8	3/4"	25-27.5	7.8	24.5	26.5	22.0	39.5	17.5	25 g
	090.023					3/8	1"	32-34.5	10.8	30.0	31.0	22.0	44.0	21.0	32 g
	090.033					3/8	1 1/4"	40-43.0	12.8	34.0	35.5	25.0	48.0	25.0	38 g



For series	Ordering no.					Dimensions [mm]					Weight (Brass)		
	Type	Material no.				BSPP	H <sub>1</sub>	H <sub>2</sub>	D	Hex			
		16	17	30	56							5E	
2TR/468/548 652/660/679 684	065.200	AISI 303	AISI 316Ti	Brass	POM	PVDF	3/8	13.0	10.0	12.8	22	25 g	
	065.200	-	-	-	-	-		3/8	14.5	11.5	12.8		22
	069.000	-	-	-	-	-		UNF 11/16	13.0	10.0	12.8		22
656/657 664/665	065.600						3/8	16.0	13.0	20.1	32	60 g	



Retaining nuts

For filters and non-return valves please refer to page 9.8

Example for ordering: Type 090.053 + Material no. 51 = Ordering no. 090.053.51