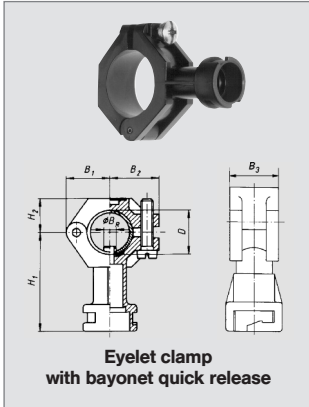


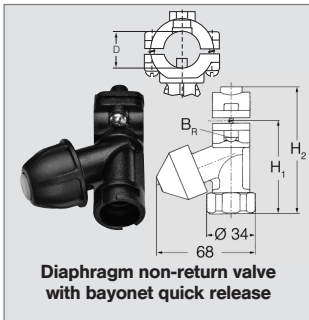


Accessories

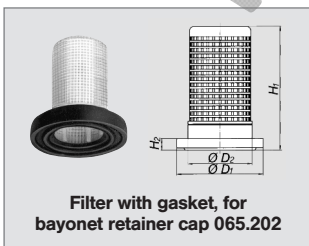
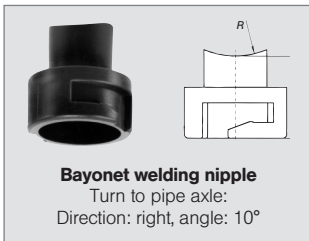
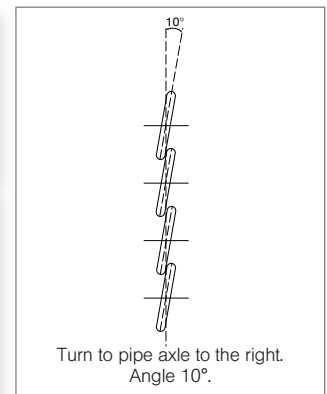
Bayonet quick release system



For series	Ordering no.				Code	Screw (Material)	Pipe ø	D ø [mm]	Opening pressure [bar]	Closing pressure [bar]	Dimensions [mm]						Weight	
	Type	Material no.									H ₁	H ₂	B _R ø	B ₁	B ₂	B ₃		
		51	53	5E														56
Polyamid	Polypropylene	PVDF	POM															
302 Bayonet 422 Bayonet / 2TR 468/548/646 652/679/684	090.003	○	○	○	-	KA	303 SS	1/2"	20-22.0	-	-	49.5	16.5	6.2	21.2	23.8	18.5	22g
	090.013	○	○	○	-	KA	303 SS	3/4"	25-27.5	-	-	52.5	17.5	7.8	24.5	26.5	22.0	26g
	090.023	○	○	○	-	KA	303 SS	1"	32-34.5	-	-	57.0	21.0	10.8	30.0	31.0	22.0	32g
302 Bayonet 422 Bayonet 2TR/468/548/646 652/679/684	065.272	-	-	-	○	KH	303 SS	1/2"	20-22.0	0.8	0.6	59	84	6.0	-	-	-	48g
	065.272	-	-	-	○	KL	303 SS	3/4"	25-27.5	0.8	0.6	66	90	9.6	-	-	-	53g



For series	Ordering no.	Material	Dimensions [mm]	
			L	R
302 Bayonet 422 Bayonet 2TR/468/548/646 652/679/684	095.016.50.08.05	PVC	25	16
	095.016.53.08.05	PP	25	16



For nozzle size	Ordering no.		Mesh width [mm]	Colour	Dimensions [mm]				Weight
	Type	Mat. no.			H ₁	H ₂	D ₁	D ₂	
		7J POM/ Santoprene							
xxx.32x-xxx.44x	065.268	○	0.25	blue	21.5	2.5	18.0	11.0	2 g
xxx.48x-xxx.56x	065.269	○	0.65	red	21.5	2.5	18.0	11.0	2 g

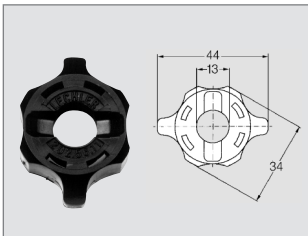
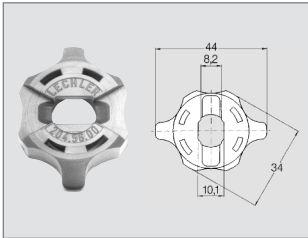
Example for ordering: Type + Material no. + Code = Ordering no.
090.003 + 51 + KA = 090.003.51.KA



Accessories

Bayonet quick release system

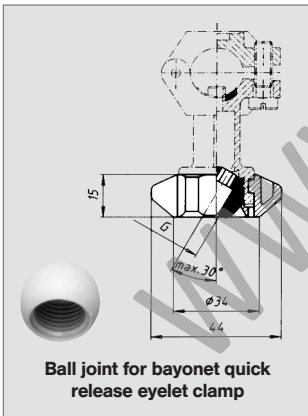
Bayonet quick release retainer caps
 incl. gasket 065. 242. 73
 (Material: rubber)



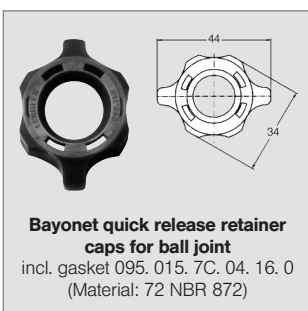
For series	Ordering no.		Material	Colour
	Type	Mat.-no.		
652/679		065. 202. 56. 00	POM	red
		065. 202. 53. 00	Polypropylene	grey
		065. 202. 5E. 00	PVDF	blue
2TR/468/548/684		065. 202. 56. 11	POM	black
		065. 202. 53. 11	Polypropylene	grey

Ball joint for bayonet quick release system

Inexpensive ball joint system for nozzles with 1/8" and 1/4" male thread.



For series	Ordering no.			Colour
	Type	Mat.-no.	Code	
For all nozzles with 1/8" or 1/4" male thread.		PVDF	AB AD	blue
	092. 150	1/8 BSPP		



For series	Ordering no.		Material	Colour
	Type	Mat.-no.		
For ball joint		092. 150. 5E. 00	PVDF	blue

Pressure/Temperature

T	P _{max}
65 °C	10 bar
80 °C	8 bar
100 °C	4 bar