



Flat fan nozzles

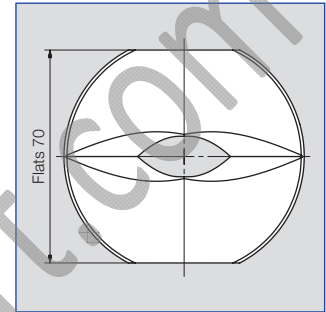
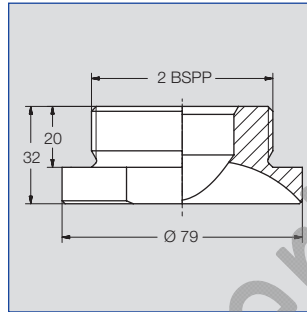
Series 625



Parabolic distribution of liquid. Headers, equipped with these nozzles, show a highly uniform total distribution of liquids, even at different installation heights and centers.

Applications:

Cleaning, pickling, surface treatment, rinsing.



| Spray angle | Ordering no. | | A Ø [mm] | E Ø [mm] | \dot{V} [l/min] | | | | | | | Spray width B | |
|-----------------|--------------|----------|----------|----------|-------------------|-----|-----|-----|-----|-----|------|---------------|------------|
| | Type | Mat. no. | | | p [bar] | | | | | | | at p=2 bar | |
| | | 5E | | | 0.5 | 1.0 | 2.0 | 3.0 | 5.0 | 7.0 | 10.0 | H = 250 mm | H = 500 mm |
| 20° | 625.301 | ○ | 16.0 | 13.2 | 90 | 127 | 180 | 220 | 285 | 337 | 402 | 115 | 210 |
| | 625.321 | ○ | 17.0 | 14.2 | 100 | 141 | 200 | 245 | 316 | 374 | 447 | 115 | 210 |
| | 625.361 | ○ | 19.0 | 16.3 | 125 | 177 | 250 | 306 | 395 | 468 | 559 | 115 | 210 |
| | 625.421 | ○ | 22.5 | 19.2 | 183 | 258 | 365 | 447 | 577 | 683 | 816 | 115 | 210 |
| | 625.451 | ○ | 24.5 | 20.9 | 213 | 301 | 425 | 521 | 672 | 795 | 950 | 115 | 210 |
| 60° | 625.404 | ○ | 21.0 | 13.2 | 158 | 223 | 315 | 386 | 498 | 589 | 704 | 340 | 640 |
| | 625.454 | ○ | 24.5 | 16.2 | 213 | 301 | 425 | 521 | 672 | 795 | 950 | 340 | 640 |
| 120° | 625.367 | ○ | 19.0 | 15.0 | 125 | 177 | 250 | 306 | 395 | 468 | 559 | 800 | 1460 |
| | 625.407 | ○ | 21.0 | 18.0 | 158 | 223 | 315 | 386 | 498 | 589 | 704 | 800 | 1460 |
| | 625.427 | ○ | 22.5 | 18.0 | 183 | 258 | 365 | 447 | 577 | 683 | 816 | 800 | 1460 |

E = Narrowest free cross section · A = Equivalent bore diameter
 Incl. gasket 062.540.72.00 (Material: EWP 210)

Example of ordering: **Type** **+** **Material no.** **=** **Ordering no.**
 of ordering: 625.301 + 5E = 625.301.5E