



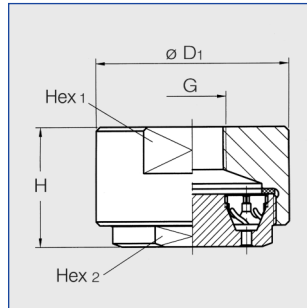
Cluster head nozzles

Series 502 / 503

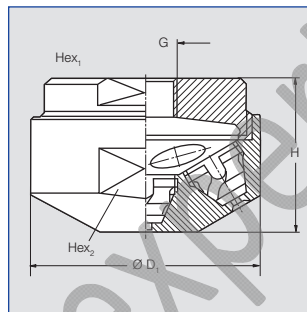
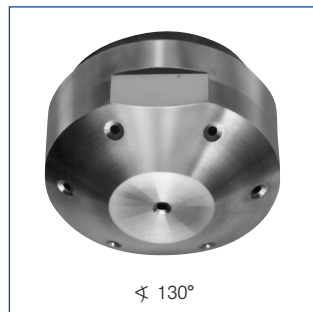
Fine full cone atomization with the aid of several hollow cones spraying into one another.

Applications:

Cooling of gaseous and solid material, desuperheating, chlorine precipitation, absorption as well as for improvement of chemical reaction by enlarging the contact area.



	Dimensions	
	1/2"	3/4"
Hex ₁	46	65
Hex ₂	38	55
H	25	46
D ₁	50	75
Weight (Brass)	250 g	870 g



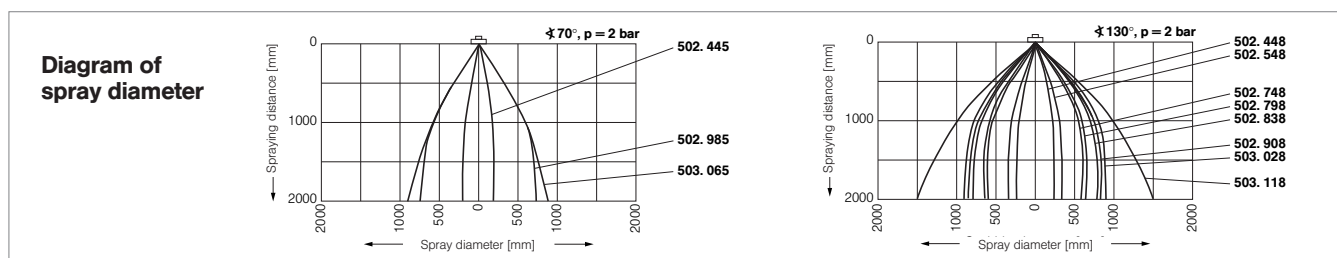
	Dimensions	
	1/2"	3/4"
Hex ₁	27	50
Hex ₂	36	55
H	28	53
D ₁	40	60
Weight (Brass)	150 g	410 g

Spray angle	Ordering no.		G	B Ø [mm]	E Ø [mm]	V̇ [l/min]						Spray diameter D at p = 2 bar	
	Type	Mat.-no.				p [bar]						H =	
						0.5	1.0	2.0	[US gal/min] at 40 psi	5.0	10.0	1000 mm	2000 mm
70°	502.445	-	1/2"	1.00	0.50	-	-	1.25	0.39	1.98	2.80	400	400
	502.985	•	3/4"	3.50	2.00	14.00	19.80	28.00	8.68	44.30	62.60	1200	1500
	503.065	•	3/4"	5.00	2.00	22.10	31.80	45.00	13.96	71.10	100.60	1200	1800
130°	502.448	•	1/2"	1.00	0.50	-	-	1.25	0.39	1.98	2.80	500	500
	502.548	•	1/2"	1.80	0.50	-	1.58	2.24	0.69	3.54	5.01	700	700
	502.748	•	3/4"	2.00	2.00	3.50	5.00	7.10	2.20	11.20	15.90	1100	1200
	502.838	•	3/4"	3.00	2.00	4.60	8.30	11.80	3.66	18.70	26.40	1400	1600
	502.908	•	3/4"	4.00	2.00	8.80	12.70	18.00	5.58	28.40	40.20	1500	1800
	503.028	•	3/4"	4.00	2.00	17.70	25.10	35.50	11.01	56.10	79.40	1600	1800
503.118	•	3/4"	6.00	2.00	30.00	42.00	60.00	18.61	95.00	134.00	2000	3000	

¹⁾We reserve the right to deliver AISI 316Ti or AISI 316L under the material no. 17.
B = bore diameter · E = narrowest free cross section

The folded page at the end of the catalogue will give you a survey on the various assembly possibilities. For complete assembly accessories, please refer to »Accessories«.

Example for ordering:	Type	+	Material-no.	=	Ordering no.
	502.445	+	30	=	502.445.30



Conversion formula for the above series: $\dot{V}_2 = \dot{V}_1 \cdot \sqrt{\frac{p_2}{p_1}}$