



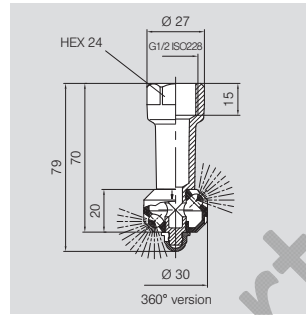
Rotation Nozzles »MicroWhirly« Series 500.191 Plastic versions

Series 500.191

- Inexpensive rotating head
- Good corrosion resistance
- 360° and partial coverage
- Material: PVDF
- Slide bearing
- Very compact design
- Self rotating
- Driven and lubricated by the cleaning fluid
- All used materials are FDA-conform

Applications:

- Cleaning of
- Kegs
 - Barrels
 - Cans
 - Autoclaves
 - Machines



Max. spray diameter:
1 – 1.5 m

Operating pressure:
1 – 2 bar

Max. temperature:
90 °C

Installation:
Operation in every direction is possible

Spray angle	Ordering number	E Ø [mm]	Con-nection	Flow rate \dot{V} [l/min.]				Length [mm]	Maximum width [mm]
				Δp [bar]	$\Delta p_{max} = 5$ bar	40 psi [US gal./min]			
180°	500.191.5E.02	2.2	1/2"	9	13	16	4	79	30
180°	500.191.5E.01	2.2	1/2"	9	13	16	4	79	30
360°	500.191.5E.00	2.2	1/2"	14	20	24	6.2	79	30

E = Narrowest free cross-section

Please note: We do not recommend the operation with compressed air. Higher pressure generally means higher wear and smaller droplets. This might have adverse effects on the cleaning result. For further ordering data please turn to your Lechler contact person. In order to protect the bearing a line-strainer with a mesh size of 0.3 mm/50 mesh is recommended.