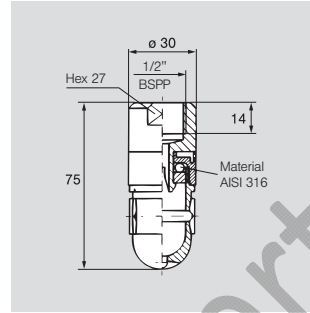




Rotation Nozzles »MiniWhirly« Series 500.186 Plastic versions

Series 500.186

- Robust design, especially reliable in operation
- 300° spray angle
- Material: POM
- Stainless steel ball bearing (AISI 316)
- Very compact design
- Self rotating
- Driven and lubricated by the cleaning fluid



Max. spray diameter:
1 – 1.5 m

Operating pressure:
1 – 2 bar

Max. temperature:
50 °C

Installation:
Vertically facing downward

Applications:

- Cleaning of
- Kegs
 - Barrels
 - Cans
 - Autoclaves
 - Machines

Spray angle	Ordering number	E Ø [mm]	Con-nection	Flow rate \dot{V} [l/min]			Length [mm]	Maximum width [mm]
				Δp [bar]	$(\Delta p_{max} = 5 \text{ bar})$	40 psi [US gal./min]		
300°	500.186.56.AH	1.9	1/2"	13	18	22	75	30

E = Narrowest free cross-section

In order to protect the bearing a line-strainer with a mesh size of 0.3 mm/50 mesh is recommended.

www.spray-expert.com