



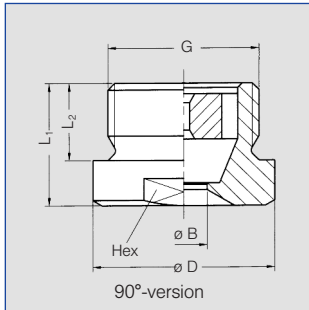
Axial-flow full cone nozzles

Series 403

Very uniform spray pattern.

Applications:

Surface spraying, spraying over packings, chemical process engineering, cooling of gaseous fluids and solids.

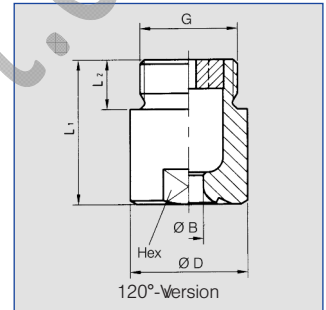


90°-version

Dimensions [mm]						
Type	G ISO 228	L ₁	L ₂	D	Hex	
403.446/403.486	G 2 1/2 A	52	27	83	75	
403.526	G 3 A	60	30	98	85	
403.606	G 3 1/2 A	70	32	118	105	

120°-version

Dimensions [mm]						
Type	G ISO 228	L ₁	L ₂	D	Hex	
403.448/403.488	G 2 1/2 A	124	27	83	75	
403.528	G 3 A	153	30	98	85	
403.608	G 3 1/2 A	156	32	118	105	
403.628	G 4 A	165	36	128	110	



Spray angle	Ordering no.		B ø [mm]	E ø [mm]	V̇ [l/min]							Spray diameter D at p=2 bar	
	Type	Mat.-no.			p [bar]							 H = 0.5 m H = 1 m	
					0.3	0.5	1.0	2.0	3.0	5.0	7.0		
90°	403.446	○	25.00	12.00	187	230	303	400	470	577	660	900	1700
	403.486	○	29.50	12.00	234	287	379	500	588	721	825	900	1700
	403.526	○	32.00	13.80	295	362	477	630	741	909	1040	900	1700
	403.606	○	40.00	15.00	468	574	758	1000	1176	1443	1651	980	1750
120°	403.448	○	25.50	10.00	187	230	303	400	470	577	660	1500	2850
	403.488	○	29.50	11.00	234	287	379	500	588	721	825	1500	2850
	403.528	○	32.00	15.00	295	362	477	630	741	909	1040	1500	2850
	403.608	○	42.00	12.00	469	574	758	1000	1176	1443	1651	1500	2850
	403.628	○	45.00	15.00	585	718	947	1250	1470	1903	2063	1600	2900

B = bore diameter · E = narrowest free cross section

Example for ordering:	Type	+	Material-no.	=	Ordering no.
	403.446	+	1Y	=	403.446.1Y

Conversion formula for the above series: $\dot{V}_2 = \dot{V}_1 * \left(\frac{p_2}{p_1}\right)^{0,4}$
(≤ 10 bar)