



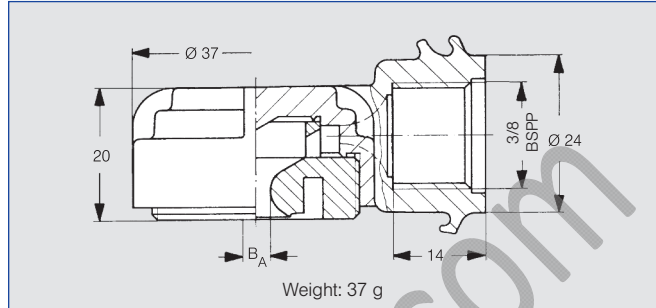
## Tangential-flow hollow cone nozzles

### Series 350

**High-performance eccentric spray nozzles for air-conditioning. Narrow drop spectrum and extremely uniform distribution of liquid over the entire spray pattern.**

Applications:

Humidification of air in air washers, dust control, spraying onto filters, foam control.

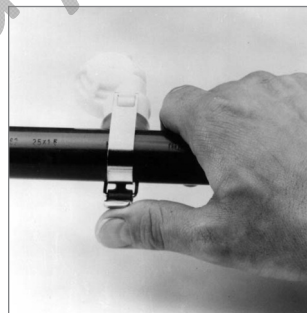
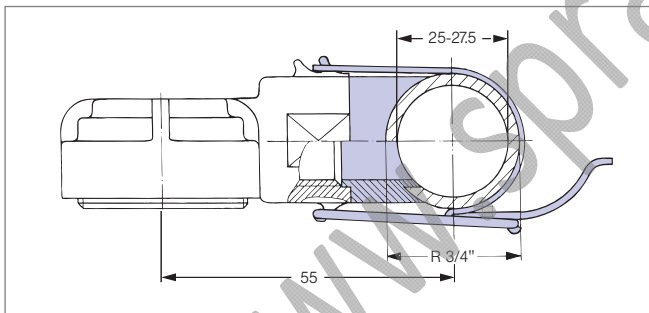


Spray angle	Ordering no.		B Ø [mm]	E Ø [mm]	$\dot{V}$ [l/min]							Spray diameter D at p=2 bar	
	Type	Mat.-Nr.			p [bar]							 H = 250 mm    H = 500 mm	
					p <sub>max</sub> : 20 bar								
130°	350.368	○	1.55	0.70	0.32	0.45	0.63	0.77	1.00	1.18	1.41	1120	2000
	350.608	○	5.00	1.40	1.58	2.23	3.15	3.86	4.98	5.89	7.04	1140	2100

B = bore diameter · E = narrowest free cross section

<b>Example for ordering:</b>	<b>Type</b>	<b>+</b>	<b>Material no.</b>	<b>=</b>	<b>Ordering no.</b>
	350.368	+	56	=	350.368.56

### Accessories



Quick snap clamp unit · **Ord.-no.: 035.030.15.05.00.0**  
 consisting of: Stainless steel clamp and polyurethan gasket

Bore-ø: 18 mm

Conversion formula for the above series:  $\dot{V}_2 = \dot{V}_1 \cdot \sqrt{\frac{p_2}{p_1}}$