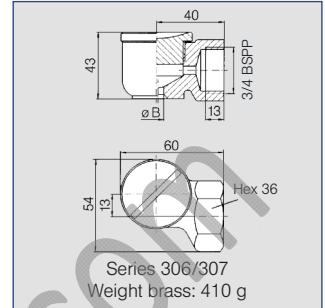
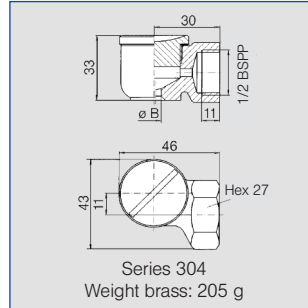




Tangential-flow hollow cone nozzles

Series 304 / 306 / 307

Uniform hollow cone spray.
Non-clogging nozzle,
without swirl insert.
Applications:
Fire fighting, protection of
storage tanks, foam control.

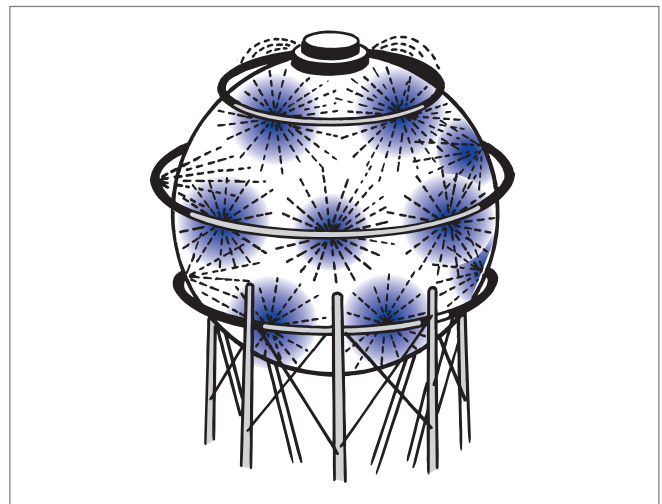


Spray angle	Ordering no.		G	B ∅ [mm]	E ∅ [mm]	V̇ [l/min]								Spray diameter D at p=2 bar	
	Type	Mat. no.				p [bar]								H = 250 mm	H = 500 mm
						30	1Y	0.5	1.0	2.0	3.0	5.0	7.0		
			BSPP												
90°	304. 706	○	○	1/2"	5.10	5.10	2.80	3.96	5.60	6.86	8.85	10.47	12.52	450	750
	304. 796	○	○	1/2"	8.90	6.00	4.75	6.72	9.50	11.64	15.02	17.77	21.24	450	750
	306. 906	○	○	3/4"	9.00	9.00	9.00	12.73	18.00	22.05	28.46	33.68	40.25	470	850
	306. 976	○	○	3/4"	13.50	10.00	13.25	18.74	26.50	32.46	41.90	49.58	59.26	470	850
130°	304. 818	○	-	1/2"	12.00	5.00	5.30	7.50	10.60	12.98	16.76	19.83	23.70	1400	1800
	304. 898	○	○	1/2"	12.00	7.00	8.50	12.02	17.00	20.82	26.88	31.80	38.01	1400	1800
	306. 978	○	-	3/4"	19.00	7.30	13.25	18.74	26.50	32.46	41.90	49.58	59.25	1450	2400
	307. 018	○	○	3/4"	19.00	8.60	16.75	23.69	33.50	41.03	52.97	62.67	74.91	1450	2400

B = bore diameter · E = narrowest free cross section

Example	Type	+	Material no.	=	Ordering no.
for ordering:	304. 706	+	30	=	304. 706. 30

The folded page at the end of the catalogue will give you a survey on the various assembly possibilities.
For complete assembly accessories, please refer to »Accessories«.



Fire protection on spherical storage tank.

For further informations please ask for our brochure about fire protection.

Conversion formula for the above series: $\dot{V}_2 = \dot{V}_1 \cdot \sqrt{\frac{p_2}{p_1}}$