

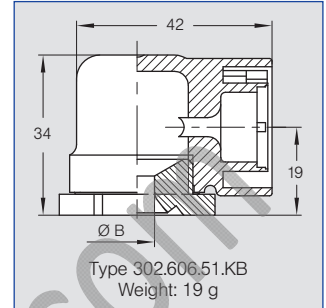
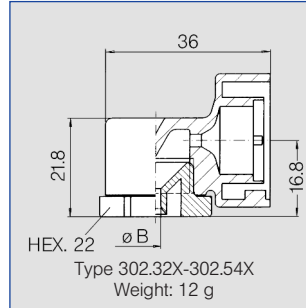


Tangential-flow hollow cone nozzles Bayonet quick-release system Series 302

A time-saving alternative to threaded design. Quick and secure assembling. Automatic setting of spray direction.

Applications:

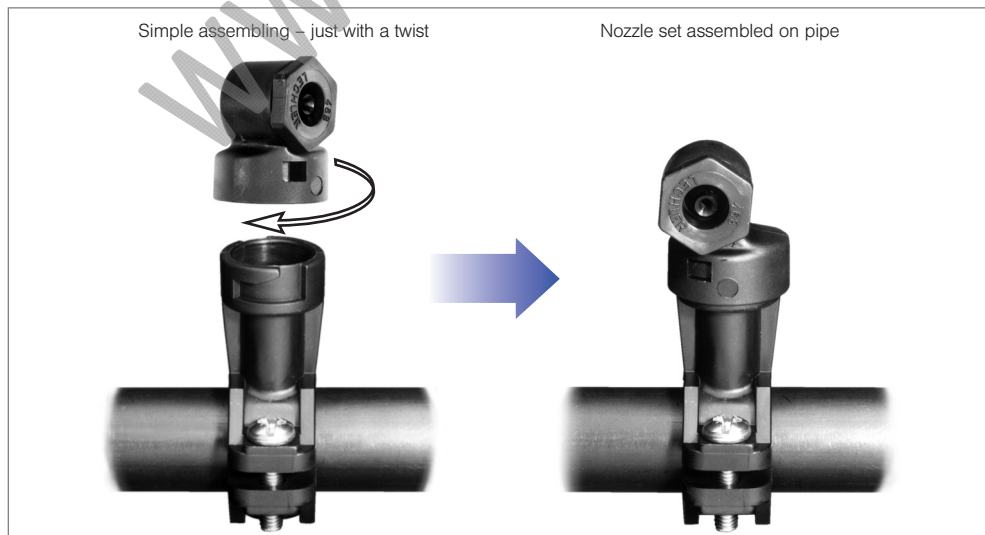
Humidification of air in air washers, dust control, spraying onto filters, foam control.



Spray angle	Ordering no.				B Ø [mm]	E Ø [mm]	\dot{V} [l/min]						Spray diameter D at p=2 bar		
	Type	Mat. no.		Code			p [bar]						H =		
		51	56				0.5	1.0	2.0	3.0	4.0	10.0	250 mm	500 mm	
45°	302.503	○	-	KB	2.05	2.05	0.90	1.27	1.80	0.56	2.20	2.85	4.02	220	560
60°	302.464	-	○	KB	1.95	1.95	0.70	0.99	1.40	0.43	1.71	2.21	3.13	300	560
80°	302.545	-	○	KB	2.30	2.30	1.12	1.58	2.24	0.69	2.74	3.54	5.01	400	700
90°	302.326	○	○	KB	1.05	1.05	0.20	0.28	0.40	0.12	0.49	0.63	0.89	400	700
	302.406	○	○	KB	1.55	1.55	0.50	0.71	1.00	0.31	1.22	1.58	2.24	400	880
	302.486	○	-	KB	2.10	2.10	0.80	1.13	1.60	0.50	1.96	2.53	3.58	400	880
	302.606	○	-	KB	5.00	3.20	1.58	2.23	3.15	0.98	3.86	4.98	7.04	450	880
130°	302.368	-	○	KB	1.30	1.30	0.31	0.45	0.63	0.20	0.77	1.00	1.41	700	1380
	302.408	○	○	KB	2.00	2.00	0.50	0.71	1.00	0.31	1.22	1.58	2.24	700	1380
	302.468	○	-	KB	2.40	2.40	0.70	0.99	1.40	0.43	1.71	2.21	3.13	700	1380
	302.488	○	-	KB	2.75	2.75	0.80	1.13	1.60	0.50	1.96	2.53	3.58	700	1380

B = bore diameter · E = narrowest free cross section

Example for ordering: Type + Material no. + Code = Ordering no.
302.503 + 51 + KB = 302.503.51.KB



The folded page at the end of the catalogue will give you a survey on the various assembly possibilities. For complete assembly accessories, please refer to »Accessories«.

Conversion formula for the above series: $\dot{V}_2 = \dot{V}_1 * \sqrt{\frac{p_2}{p_1}}$