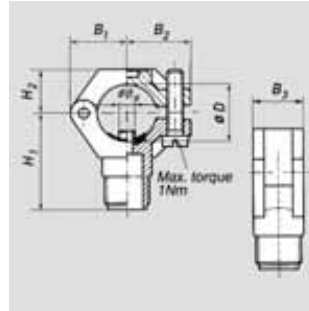




Accessories for Flat Jet Slot Nozzles

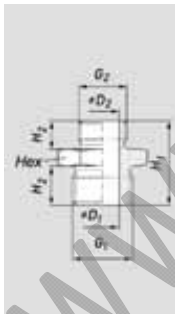
Clamps

- For flat jet slot nozzles series 679
- Easy fixing of nozzles with nut
- Adjustment of stream without any problems



Ordering no.				Screw	Dimensions [mm]								Weight (Polyamide)
Type	Material no.				Pipe ϕ	D ϕ	BR ϕ	B1	B2	B3	H1	H2	
	51	53	5E										
090.003	●	●	●	Material 1.4305	1/2"	20-22,0	6,2	21,2	23,8	18,5	36,5	16,5	20 g
090.013	○	○	○		3/4"	25-27,5	7,8	24,5	26,5	22,0	39,5	17,5	25 g
090.023	○	○	○		1"	32-34,5	10,8	30,0	31,0	22,0	44,0	21,0	32 g

Double nipple



Ordering no.				G1 BSPP	G2 BSPP	Dimensions [mm]					Weight (Brass)
Type	Mat. no.		Hex			H1	H2	D1	D2	Hex	
	17	30									
065.215	○	○	3/8	1/4	25	10	10	7	22	30 g	
065.211	○	○	3/8	3/8	25	10	11,5	-	22	25 g	

Nuts



Ordering no.							Dimensions [mm]				Weight (brass)
Type	Material no.					G BSPP	H1	H2	D	Hex	
	16	17	30	56	5E						
065.200	○	○	○	-	-	3/8	13,0	10,0	12,8	22	25 g
065.200	-	-	-	○	○	3/8	14,5	11,5	12,8	22	25 g